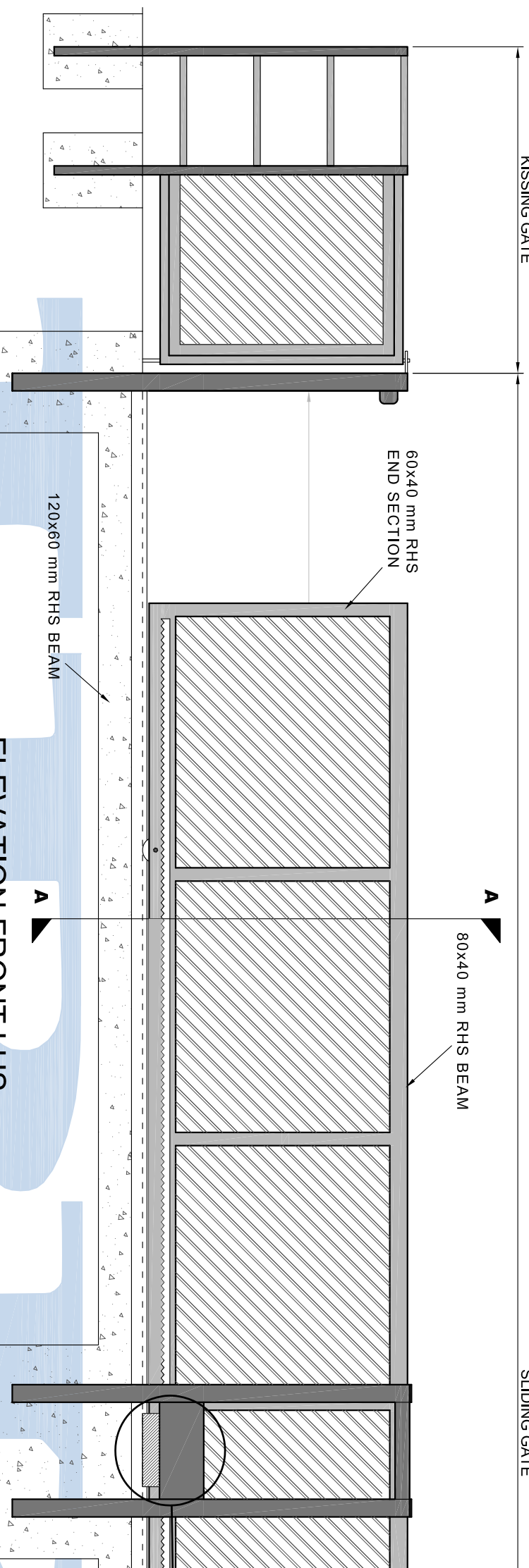


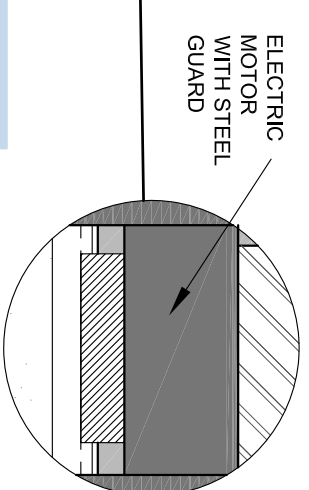
KISSING GATE

SLIDING GATE

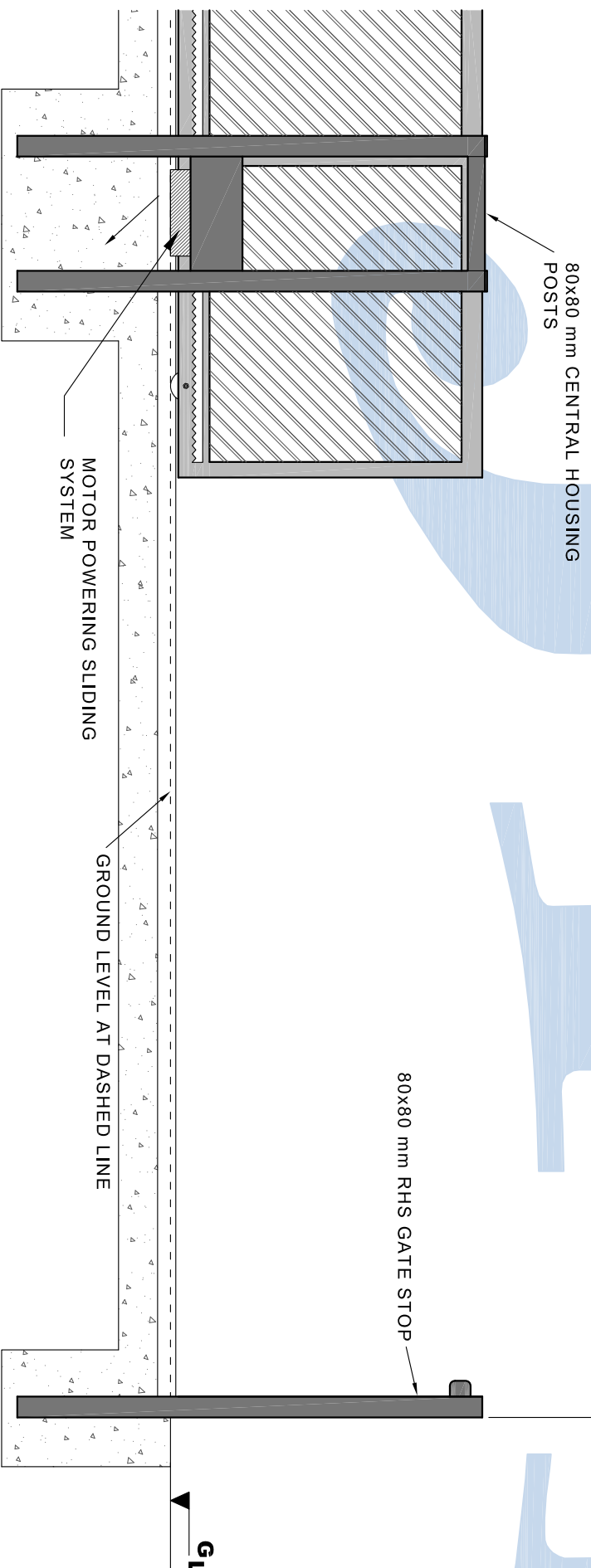


ELEVATION FRONT LHS
SCALE 1:25

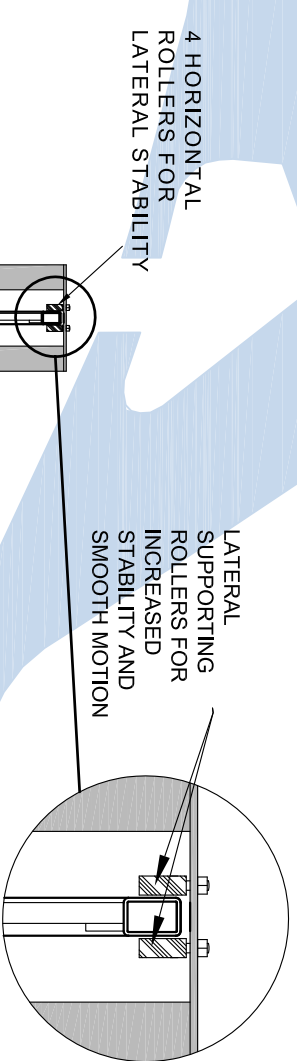
- JPK MANUFACTURING DETAILS**
1. ALL DIMENSIONS ARE IN MILLIMETRES.
 2. ALL MATERIALS GALVANISED TO EN ISO 1461.
 3. ALL NUTS, BOLTS & FITTINGS GALVANISED TO BS 729.
 4. POWDER COATED TO RAL COLOUR CHART.
 5. STEEL SECTIONS SIZES AND ARRANGEMENTS MAY VARY ACCORDING TO VARIOUS HEIGHTS AND SPANS.



SLIDING GATE



ELEVATION FRONT RHS
SCALE 1:25



4 HORIZONTAL ROLLERS FOR LATERAL STABILITY

HEAVY DUTY SLIDING ROLLER AND CONCRETE IMBEDDED TRACK

SECTION A-A
SCALE 1:25

