

## H1-B-W4



### **SUPER RAIL**

#### **Flextra SR-EDSP, H1 Transition**

The H1-B-W4 safety barrier is used on high speed roads providing protection for both large and small vehicles due to its strength, quality and high containment.

All steel sections are galvanised providing long term maintenance free protection from corrosion.

H1-B-W4

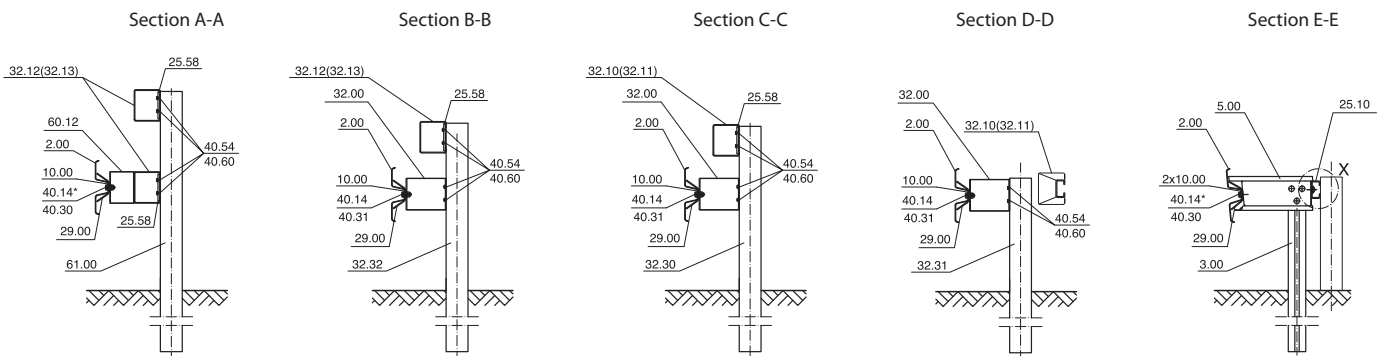
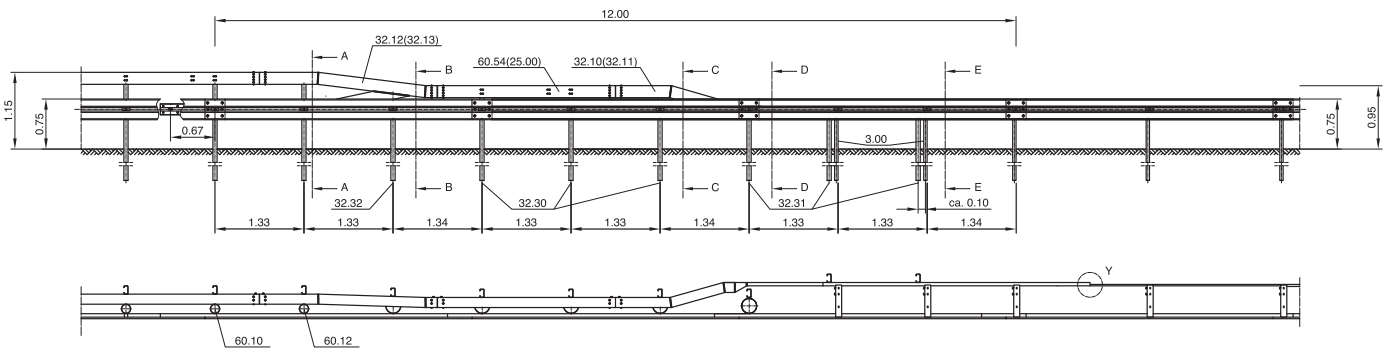
Safety Barrier



Technical Data: Flextra SR-EDSP

H1-B-W4

Test Standard Acceptance Test Testing Institute	DIN EN 1317 Part 1 and Part 2 TB 11 and TB 42 Bast, Germany
Containment Impact Severity Level Working Width	H1 B W4
Test Length System Height System Weight	12 m 1.15 m 785 kg



website : [www.jpki.ie](http://www.jpki.ie)  
 email : [info@jpki.ie](mailto:info@jpki.ie)  
 telephone : +353 91 798 146

**PASS+CO**  
 BARRIER SYSTEMS GmbH