

### N2-B-W3



#### Object Protection Barrier

The Object protection Barrier is used at locations where objects (trees, lamps etc.) are close to the road, minimising damage to both the vehicle and object.

All steel sections are galvanised providing long term maintenance free protection from corrosion.

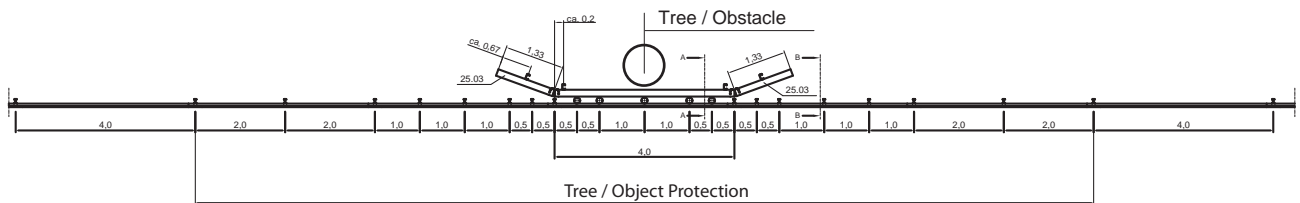
N2-B-W3

Safety Barrier

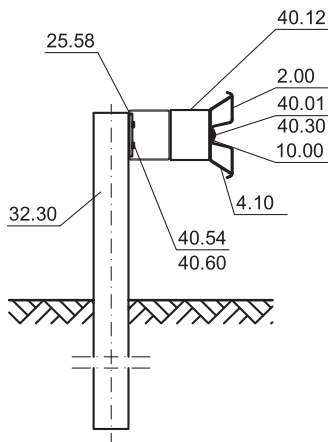
Technical Data: ESP BOS (Object Protection)

N2-B-W3

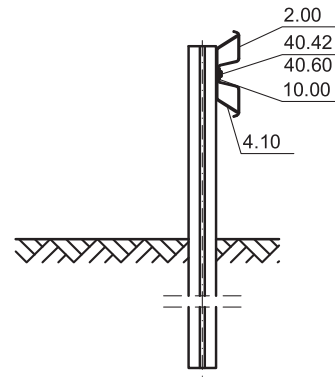
Test Standard Acceptance Test Testing Institute	DIN EN 1317 Part 1 and Part 2 TB 11 and TB 32 TSR Engineering GmbH
Containment Impact Severity Level Working Width	N 2 B W3
Test Length System Height System Weight	20 m 0,75 m 33 kg/m Profile B



Section A-A



Section B-B



**JPK**  
Est. 1975  
**Fencing Systems**

website : [www.jpk.ie](http://www.jpk.ie)  
email : [info@jpk.ie](mailto:info@jpk.ie)  
telephone : +353 91 798 146



**PASS+CO**  
BARRIER SYSTEMS GmbH