

H4b-A-W8



SUPER-RAIL Double

The H4b-A-W8 safety barrier system is used where large heavy vehicles are travelling at high speeds.

This system has a strong H4b guard for Central and separation strips, the highest requirements that DIN EN 1317 meets.

All steel sections are galvanised providing long term maintenance free protection from corrosion.

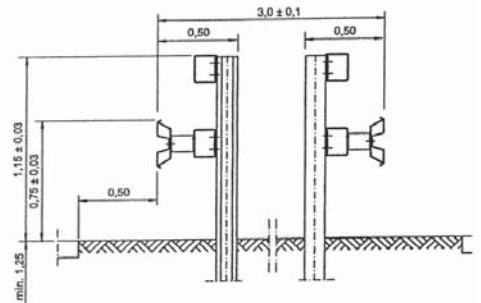
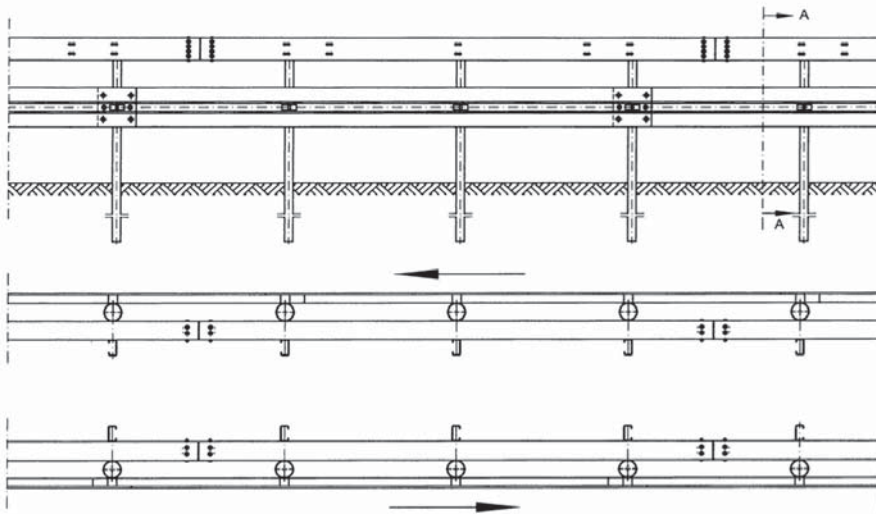
H4b-A-W8

Safety Barrier

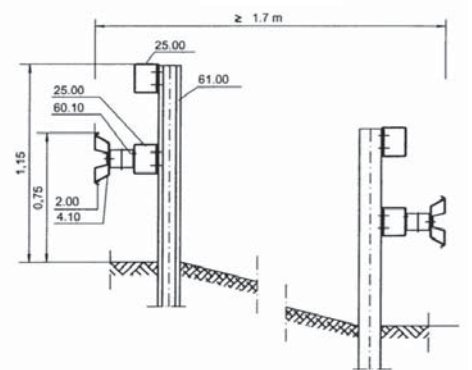
Technical Data: SUPER-RAIL - H4b Double

H4b-A-W8

Test Standard Acceptance Test Testing Institute	DIN EN 1317 Part 1 and Part 2 TB 11 and TB 81 Bast, Germany
Containment Impact Severity Level Working Width	H4b A W8
Test Length System Height System Weight	76 m 1.15 m 143 kg/m Profile A, 141 kg/m Profile B



Section A-A



website : www.jpk.ie
 email : info@jpk.ie
 telephone : +353 91 798 146



PASS+CO
 BARRIER SYSTEMS GmbH